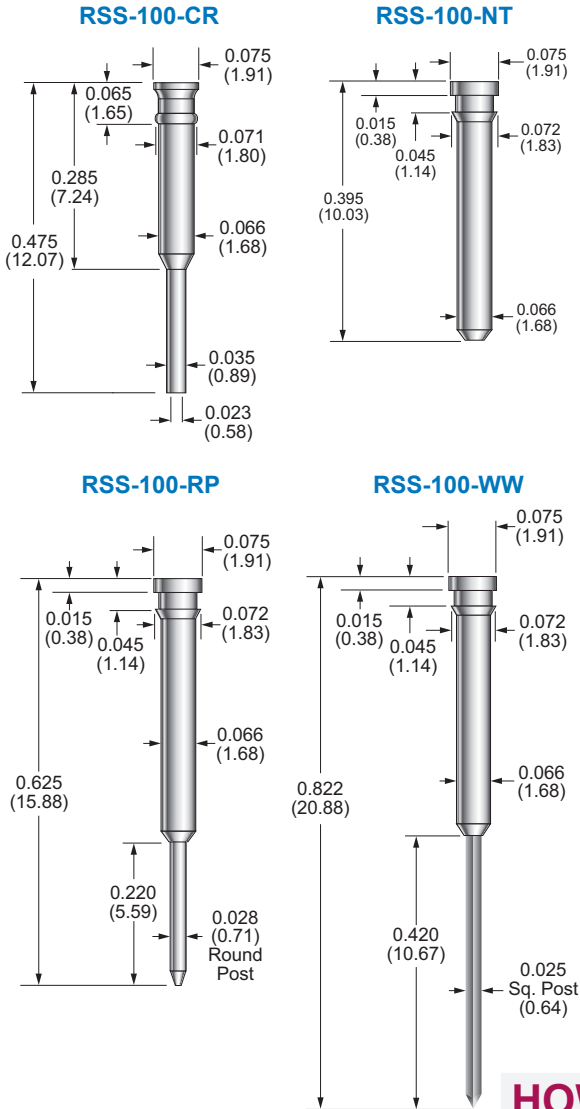


► RSS-100 SERIES

0.100 (2.54) Centers

For SS/GSS Series Probes see pg. 19



PROBE SPECIFICATIONS

Minimum Centers	0.100 (2.54)
Drill Size	#50
Mounting Hole Size	0.068/0.070 (1.73/1.78)
Recommended Wire	28-30 gage
Materials	Nickel/silver

TOOLS

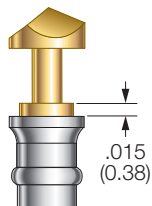
Crimping Pliers	CP-SS-100 (for 28-30 gage solid conductor)
Insertion Tool	RT-SS-100

PART NUMBER	STYLE	RECEPTACLE LENGTH	PROBE/RECEPTACLE COMBINED LENGTH	NOTES
RSS-100-CR	Crimp	0.475 (12.07)	0.550 (13.97) ⁽¹⁾	—
RSS-100-NT	No Tail	0.402 (10.21)	0.462 (11.73) ⁽¹⁾	—
RSS-100-RP	Round Post	0.625 (15.88)	0.685 (17.40) ⁽¹⁾	0.220 post length – 0.028 dia.
RSS-100-WW	Wire Wrap	0.822 (20.88)	0.882 (22.40) ⁽¹⁾	0.420 post length – 0.025 dia.
RSS-100-PW-12-1	Preattached Wire ⁽²⁾	0.475 (12.07)	0.550 (13.97) ⁽¹⁾	12" wire length, 1" strip length
RSS-100-PW-36-1	Preattached Wire ⁽²⁾	0.475 (12.07)	0.550 (13.97) ⁽¹⁾	36" wire length, 1" strip length

TIP	HEAD LENGTH	TIP	HEAD LENGTH
1	0.040 (1.02)	10	0.028 (0.71)
2	0.028 (0.71)	11	0.040 (1.02)
3	0.028 (0.71)	18	0.060 (1.52)
4	0.040 (1.02)	19	0.055 (1.40)
5	0.080 (2.03)		

PROBE EXTENSION

See chart for head length



HOW TO ORDER

	RSS - 100 - WW - G
	1 2 3 4
1 ► SERIES	RSS
2 ► SIZE	100
3 ► TERMINATION	CR CRIMP NT NO TAIL
	RP ROUND POST WW WIRE WRAP
	PW - 12 - 1 PREATTACHED WIRE 12 IN., 1 IN. STRIP LENGTH ⁽¹⁾
	PW - 36 - 1 PREATTACHED WIRE 36 IN., 1 IN. STRIP LENGTH ⁽¹⁾
4 ► PLATING OPTION	G GOLD

1. Plus head length per tip style – see chart
 2. Wire length 36" with a 1" strip length, 12" & 36" standard, blue solid conductor Kynar wire
 Dimensions are in inches (mm) | All specifications are subject to change